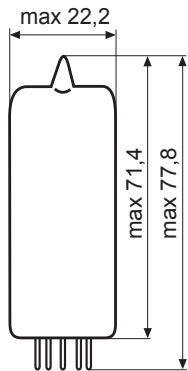
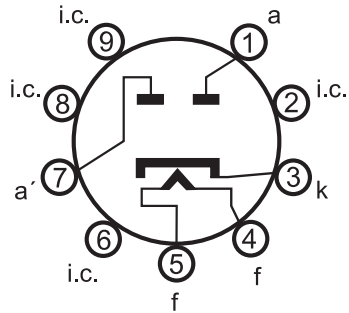


EZ81

DOUBLE ANODE RECTIFYING TUBE



Base: NOVAL

$$U_f = 6,3 \text{ V}$$

$$I_f = 1 \text{ A}$$

Typical Characteristics:

Capacitor Input

$$f = 50 \text{ Hz}$$

$$U_{tr \text{ eff}} = 2 \times 250 \quad 2 \times 350 \quad 2 \times 450 \quad \text{V}$$

$$R_t = 2 \times 150 \quad 2 \times 230 \quad 2 \times 310 \quad \Omega$$

$$I_{d.c.} = 160 \quad 150 \quad 100 \quad \text{mA}$$

$$C = 50 \quad 50 \quad 50 \quad \mu\text{F}$$

$$U_{d.c.} = 245 \quad 352 \quad 497 \quad \text{V}$$

Choke Input

$$f = 50 \text{ Hz}$$

$$U_{tr \text{ eff}} = 2 \times 250 \quad 2 \times 350 \quad 2 \times 450 \quad \text{V}$$

$$I_{d.c.} = 180 \quad 180 \quad 150 \quad \text{mA}$$

$$L = 10 \quad 10 \quad 10 \quad \text{H}$$

$$U_{d.c.} = 199 \quad 288 \quad 378 \quad \text{V}$$

Limiting Values:

$$U_{a \text{ invp}} = 1300 \quad \text{V}$$

$$I_p = 500 \quad \text{mA}$$

$$U_{kf} = 500 \quad \text{V}$$

$$C_{\text{filt max.}} = 50 \quad \mu\text{F}$$

$$L_{\text{min.}} = 1 \quad \text{H}$$



DOUBLE ANODE RECTIFYING TUBE

